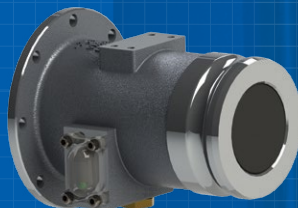
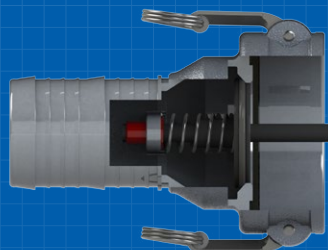
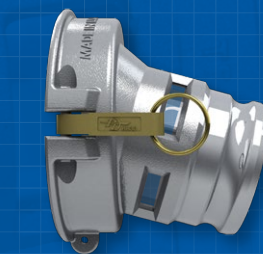
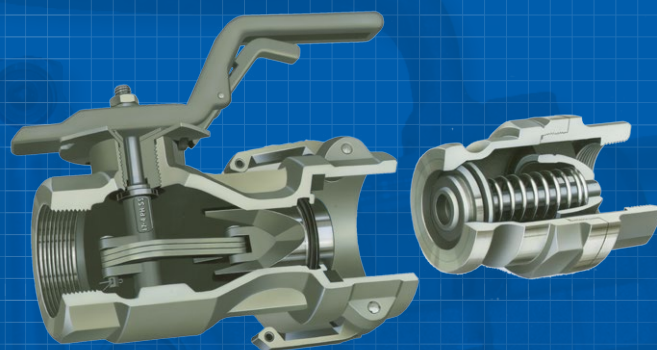
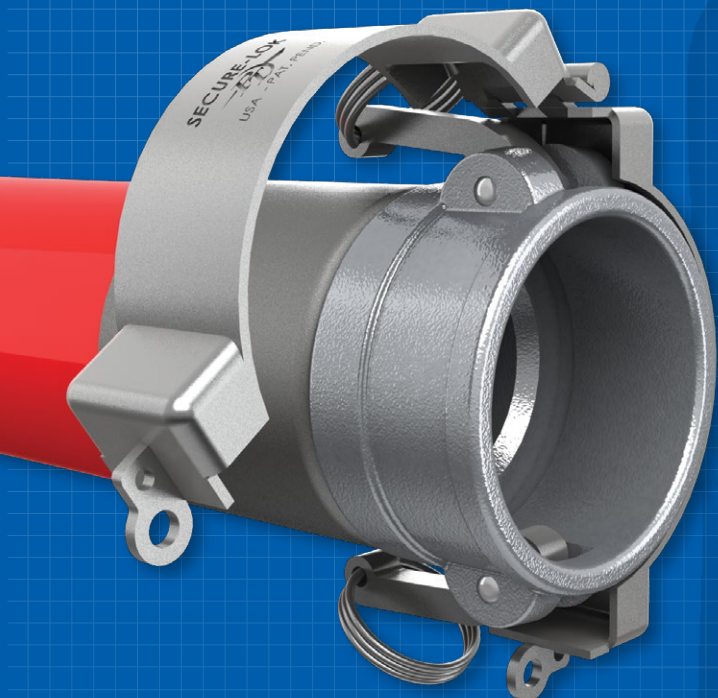




Made in the U.S.A.



PT Petroleum Products



# PT Coupling

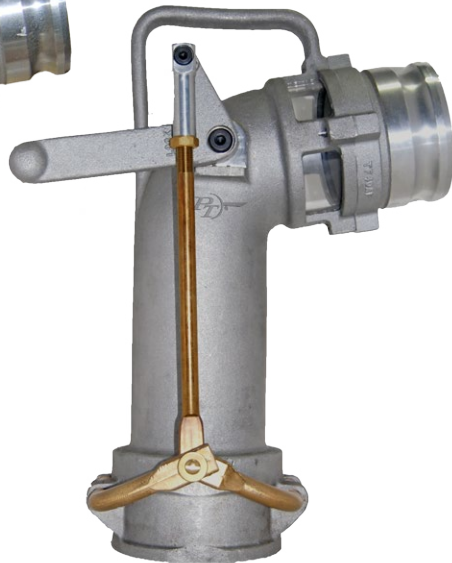
Distributed By:

CAST, MACHINED and ASSEMBLED in the USA / 1-800-654-0320 / WWW.PTCOUPLING.COM

**UTF40**  
TIGHT FILL ELBOW  
Made in the U.S.A.



**UTF40S SHORT**  
TIGHT FILL ELBOW  
Made in the U.S.A.

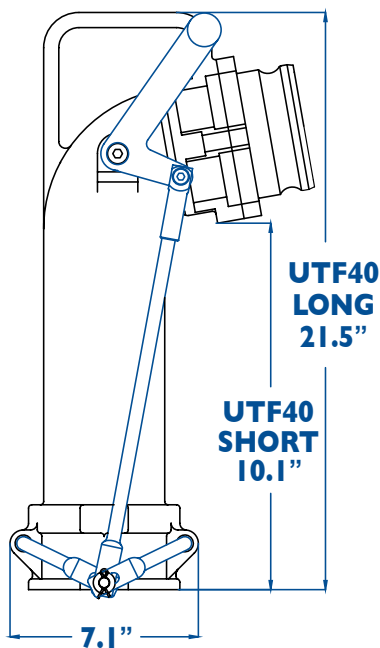


## UTF40 ADVANTAGES

1. Handle does not require a locking feature (cams over center)
2. Adjustable linkage (linkage can be adjusted in the field, for older worn adapters)
3. Brass Cams are solid (no rollers)
4. Available in two heights (21.5" or 18.0")
5. Anti-Spill Tube available for UTF40 short (required in some Canadian Provinces)
6. Five Optional Parts TF30x40AF, TF40CF, TF30x40CF, TF40TF, TF30x40TF
7. Also available with Side Seal End (fabrication)
8. All PT elbows have interchangeable Cam Arm Assembly Kits
9. Half the moving/replacement parts, lightest weight in the industry.
10. Weight:  
UTF40 (long) 13.50 lb  
UTF40 (short) 11.50 lb

Made in the U.S.A.

**UTF40**  
DIMENSIONS  
Made in the U.S.A.



## OPTIONAL PARTS



TF30x40AF  
3" adapter x 4" flange



TF30x40CF  
3" coupler x 4" flange



TF30x40TF  
3" female NPT thread x 4" flange



TF40CF  
4" coupler x 4" flange



TF40TF  
4" female NPT thread x 4" flange



Anti-Spill Tube



**UVR300**  
VAPOR ELBOW  
Made in the U.S.A.



**UVR300 SHORT**  
TIGHT FILL ELBOW  
Made in the U.S.A.



## UVR300 ADVANTAGES

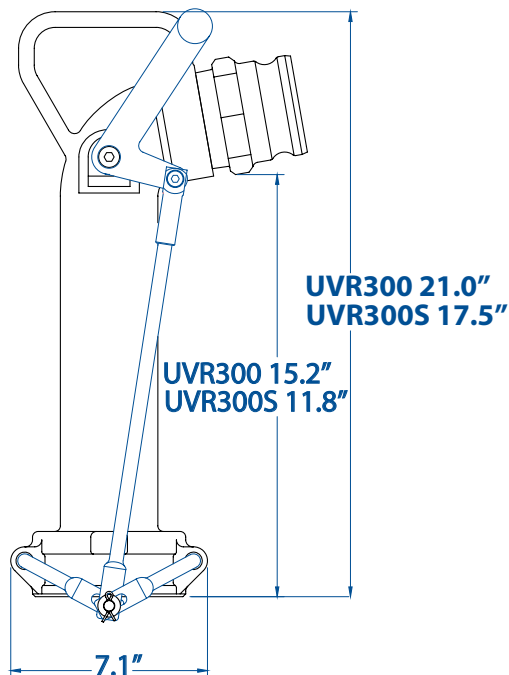
1. Handle does not require a locking feature (cams over center)
2. Adjustable linkage (linkage can be adjusted in the field, for older worn adapters)
3. Brass Cams are solid (no rollers)
4. Available in two heights (21.5" or 17.5")
5. 30F included (female threads are straight w/ gasket.)
6. Half the moving/replacement parts, lightest weight in the industry.
7. UVR300 11.5 lb  
UVR300 short 11.0 lb

---

Optional parts may be substituted or added.  
Contact your PT Warehouse for price and availability.

---

**UVR300**  
DIMENSIONS  
Made in the U.S.A.



## OPTIONAL PARTS



30 F Aluminum



40x30F Adapter



30B Aluminum





**VR400A**

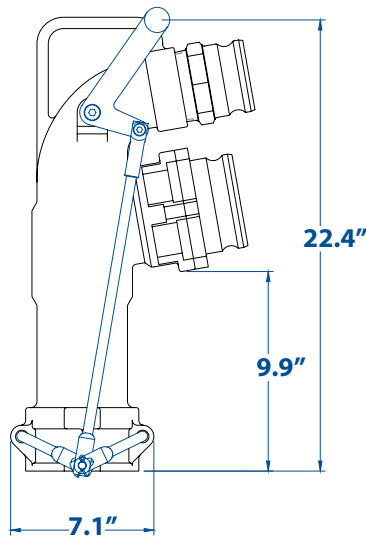
COAXIAL DELIVERY  
ELBOW-VAPOR ON TOP  
PRODUCT ON BOTTOM  
Made in the U.S.A.



30F Alum Adapter Included.

**VR400A**

DIMENSIONS  
Made in the U.S.A.



**VR400A & UVR400  
ADVANTAGES**

1. Handle does not require a locking feature (cams over center).
2. Adjustable linkage, (linkage can be adjusted in the field, for older worn adapters).
3. Brass Cams are solid (no rollers).
4. Five Optional Parts (TF30x40AF, TF40CF, TF30x40CF, TF40TF, TF30x40TF)
5. All PT elbows have interchangeable Cam Arm Assembly Kits
6. Half the moving/replacement parts, lightest weight in the industry.
7. Weight:  
VR400A 17.7 lb  
UVR400 16.8 lb

**UVR400**

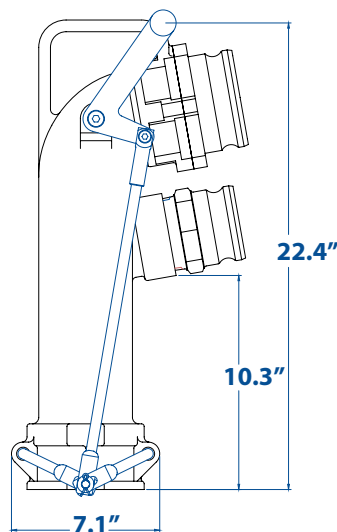
COAXIAL DELIVERY  
ELBOW-PRODUCT ON TOP  
VAPOR ON BOTTOM  
Made in the U.S.A.



30F Alum Adapter included.

**UVR400**

DIMENSIONS  
Made in the U.S.A.



**OPTIONAL PARTS**



TF30x40AF  
3" adapter x 4" flange



TF30x40CF  
3" coupler x 4" flange



TF40CF  
4" coupler x 4" flange



TF40TF  
4" female NPT thread x 4" flange



TF30x40TF  
3" female NPT thread x 4" flange



## CSP ADVANTAGES

1. Solid brass rod
2. Available with STA-LOK® II or paddle handles (PX or SLPX) in Brass or Stainless Steel.
3. Interlocking ring for ferrule design.

**CSP X CSP**  
COUPLER WITH  
PUSHROD X COUPLER  
WITH PUSHROD  
Made in the U.S.A.



**CSP X COUPLER**  
**REDUCER**  
COUPLER WITH  
PUSHROD X COUPLER  
Made in the U.S.A.



**40X30CSPVR**  
4" VAPOR RECOVERY  
POPPETED COUPLER X 3"  
HOSE SHANK  
Standard hose shank  
design allows hose attach-  
ment via PUNCH-LOK®  
center punch clamps or  
by interlocked ProGrip™  
C-50 ferrule or sleeve.



**VR40AF**  
4" VAPOR RECOVERY  
POPPETED ADAPTER X 4"  
TANK TRUCK FLANGE  
Equipped with sight glass for  
easy detection of accidental  
overfill. 3/4" NPT drain plug  
for easy removal of overfilled  
product. Drilled mounting  
surface for air interlock  
valve. Also available without  
sight glass.  
Made in the U.S.A.



**CXASP**  
COUPLER WITH  
PUSHROD X ADAPTER  
Made in the U.S.A.



**CSP**  
COUPLER WITH  
PUSHROD X SHANK  
Made in the U.S.A.



**VR40A**  
VAPOR RECOVERY ADAPTER  
4" Poppet Adapter  
X 4" NPSH Straight Thread  
Drilled mounting surface  
for air interlock valve.  
Made in the U.S.A.



Aluminum body with a plastic poppet. O-ring seal on the poppet prevents vapor from leaking into the atmosphere. Poppet design is rebuildable without removing the hose from the fitting or the fitting from the truck.

## TOP SEAL ADAPTERS

**TFLC**  
TANK ADAPTER  
LOCKING CAP  
Available in  
Aluminum & Brass  
Made in the U.S.A.



**TFAS**  
TANK FILL ADAPTER  
X 4" FEMALE NPSH  
STRAIGHT THREAD  
Available in Aluminum  
& Brass  
Size 4"  
Made in the U.S.A.



**TFSAS**  
TANK ADAPTER  
4" NPSH Straight Thread  
Available in Brass & Aluminum  
Made in the U.S.A.



**SSA**  
SIDE SEAL COUPLER  
X TOP SEAL TANK  
ADAPTER  
Available in Aluminum  
Size 4"  
Overall length: 8.10"  
width: 7.92"  
Made in the U.S.A.





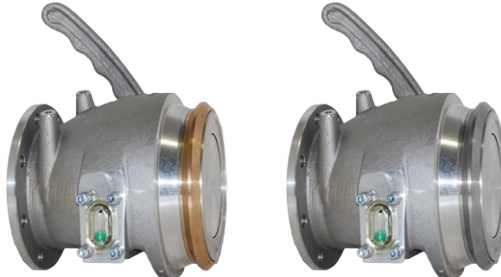
**API GRAVITY VALVE**

API ADAPTER X  
4" TTMA FLANGE  
Sight glass,  
Non-openable Valve  
Swivel Adapter  
Made in the U.S.A.



**API GRAVITY VALVE**

API ADAPTER X  
4" TTMA FLANGE  
Sight glass, Openable Valve  
Swivel Adapter  
Made in the U.S.A.



**API ADAPTER  
ADVANTAGES**

1. Brass adapter area swivels to reduce wear in cam arm connections. Also available with aluminum ring
2. Flat bottom for full drainage
3. Visual site glass optional

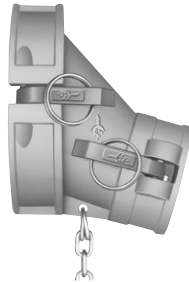
**DA-SG**

API COUPLER X  
ADAPTER  
Size 3" & 4"  
Made in the U.S.A.



**DC**

API COUPLER X  
COUPLER  
Size 3" & 4"  
Made in the U.S.A.



**DROP ADAPTER/  
COUPLER ADVANTAGES**

1. Some of these items are available with a sight glass that allows the driver to see the fuel flow. These parts mount between the API valve and the drop hose.
2. These are one piece castings. Competitors have 2-3 separate components that can lead to problems with leaks and maintenance.
3. All PT drop adapters & couplers have 3/16 plated chain. Competition's chain is considerably lighter.
4. The STA-LOK® II cam arms will adapt to these fittings for an extra charge.
5. Also available with Paddle Handle (SLSPX & SLBPX) in Stainless Steel & Brass.

**DA**

API COUPLER X  
ADAPTER  
Size 3" & 4"  
Made in the U.S.A.



**DA-SG**

API COUPLER X ADAPTER  
WITH SLBPX  
Size 3" & 4"  
Made in the U.S.A.



**GV4440**

API DUST CAP  
Made in the U.S.A.





**SAFETY BUMP® & SAFETY LOCK™**

An alternative choice to the traditional cam and groove caps and plugs, providing a comfortable handle for the driver's hand and a "bump" that extends beyond the hose fittings and ears, protecting them from damage.

Safety Bumps® are available in a hazardous/petroleum configuration (black poly) with an antistatic additive. A food grade certified composite (white), and a (blue) polypropylene for chemical/waste applications.

*\*Custom logo is available upon request. Please call for quote.*

**Safety Lock™ . . . Eliminate Spills. Visually Confirm Ear Locking**

*Safety Lock™ patent pending, is an alternative product to the Hook & Loop Fastener Straps with an easy-to-install and easy-to-remove heavy duty "clip" that clicks into place over the ears.*

**ALUMINUM**

Size 2", 3", 4"  
Made in the U.S.A.



**ANTI-STATIC POLY**

Size 2", 3", 4"  
Made in the U.S.A.



**POLYPROPYLENE**

Size 2", 3", 4"  
Made in the U.S.A.



**FOOD GRADE POLY**

Size 2", 3", 4"  
Made in the U.S.A.



**SECURE-LOK™**

*A locking system that secures your couplings.*

1. Prevents tampering of cam & groove couplings.
2. Made of 12 gauge 316 Stainless Steel for strength & corrosion resistance.
3. Prevents removal of coupler cam pins by concealing coupler cam pin area.
4. Can be used for lockout/tagout system.

Sizes 2", 3", 4"  
Made in the U.S.A.



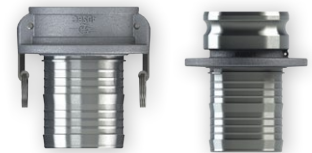
**SAFETY LOCK™**

Size 1", 2", 3", 4"  
Made in the U.S.A.



**SAFETY BUMP® - C's & E's**

Aluminum 4"  
Made in the U.S.A.



**SAFETY BUMP® T-LOCK CAM ARMS**

Size 2" & 3"-4"  
Made in the U.S.A.



Polypropylene



300 Series Stainless Steel



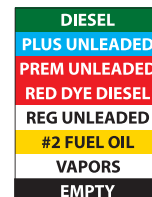
Food Grade Poly

**COMMODITY TAG HOLDER**

Made in the U.S.A.

*The commodity tag holder allows you the ability to easily identify the type of product stored in your tanker compartments. It has an all aluminum body, non corrosive internal components and a positive locking barrel. The body comes pre-assembled, is made to drain and is available with pre-drilled mounting holes. It has a large driver friendly adjusting knob with eight sides. Custom design with powder coat and custom logo.*

*\*PT Coupling offers Commodity Tag Decals. Call for more information.*







**TTFA**  
**ADAPTER X TANK TRUCK FLANGE**  
 Size 2"-6"  
 Made in the U.S.A.



**TTFC**  
**COUPLER X TANK TRUCK FLANGE**  
 Size 2", 2.5", 3", 3"x4", 4", 6", 8"  
 Made in the U.S.A.



**TTFA-22.5°**  
**ADAPTER X TANK TRUCK FLANGE 22.5°**  
 Size 4"  
 Made in the U.S.A.



**TTFC-22.5°**  
**COUPLER X TANK TRUCK FLANGE 22.5°**  
 Size 4"  
 Made in the U.S.A.



**TTFT**  
**TANK TRUCK FLANGE TEE**  
 Size 3", 4", & 6"  
 Made in the U.S.A.



**TTFY**  
**TANK TRUCK FLANGE Y**  
 Size 4" & 6"  
 Made in the U.S.A.



**TTFNPTM**  
**TTMA FLANGE X MALE NPT**  
 Size 3", 4" & 6"  
 Made in the U.S.A.



**TTFNPTF**  
**TTMA FLANGE X FEMALE NPT**  
 Size 3" & 4"  
 Made in the U.S.A.



**TTFWF**  
**TTMA FLANGE X SOCKET WELD**  
 Size 4"  
 Made in the U.S.A.



**TTFVG**  
**TTMA FLANGE X SINGLE GROOVE**  
 Size 3", 4" & 6"  
 Made in the U.S.A.



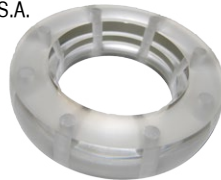
**TTFWB**  
**TTMA FLANGE X BUTT WELD FOR SCH 40 PIPE**  
 Size 3", 4" & 6"  
 Made in the U.S.A.



**\*TTFSG**  
**ACRYLIC SIGHT GLASS**  
 Size 3" & 4"  
 Made in the U.S.A.



**\*TTFSGE**  
**ACRYLIC ROWN EDGE BIO-FUEL SIGHT GLASS**  
 Size 3" & 4"  
 Compatible with E10, E85 and 100% Ethanol; 13B, B100 Biodiesel; and ultra low sulfur diesel. (ULSD)  
 175° Maximum Temperature  
 Made in the U.S.A.



**\*TTFWSG**  
**SIGHT GLASS SHORT TTMA FLANGE**  
 Size 4"  
 Made in the U.S.A.

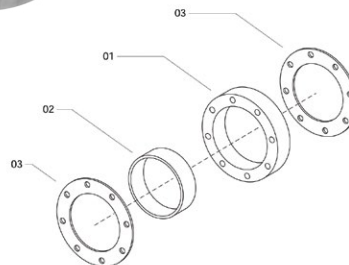
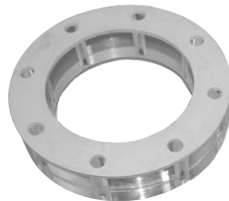


**\*TTFWS**  
**SIGHT GLASS LONG TTMA FLANGE**  
 Size 4"  
 Made in the U.S.A.



\*Clear Acrylic

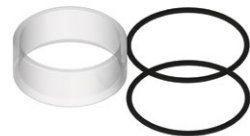
**BSGV**  
**BIO-FUEL SIGHT GLASS ACRYLIC SIGHT GLASS WITH INTERNAL EMBEDDED GLASS TUBE.**  
 Available with Buna N or Viton® gaskets.  
 Bottom Loading System Round Flange Installed.  
 Made in Brazil



Ref #	Compenent	Quantity
1	acrylic sight glass	1
2	glass tube	1
3	gasket	2

All registered trademarks are property of their respective owners.

**TTF40WSG**  
**REPLACEMENT PARTS**  
 Made in the U.S.A.



**TTF40WS-1**  
**REPLACEMENT PARTS**  
 Made in the U.S.A.





# AUTOMATIC DIESEL



Made in the U.S.A

## FUELMASTER™ DIESEL NOZZLES

The fuelmaster provides the higher flow capacity required for efficient refueling at many truck stops and terminal operations

Spout Size	Part Name	NPT Inlet	Flow Rate	Weight (LBS)	Item #
1 3/16"	FuelMaster™ Diesel Nozzle	1"	35	3.5	780042

### Features:

- Provides the high flow capacity required by many truck stops and terminal operations
- Micro-touch valve provides smooth operation and exceptional flow control
- Super tough nylon hand guard and hold-open clip
- Easy to change 'locknut style' spout assembly
- Automatic shutoff
- Green scuff guard
- Pure Teflon® stem packing eliminates leaks

### Safety Notes:

- These nozzles are not for use with gravity flow tanks
- Not designed for use with small 12 volt pumps, AC utility pumps, farm pumps or consumer pumps



MCD Nozzle

Made in the U.S.A

## MCD/MCD"S"

High-Flow automatic diesel nozzle. Ideal for truck stops and fleet fueling. Offers "one-hand" hold open clip with patented safety Kicker.

the "kicker" is designed to assure the hold-open clip will always release when automatic shut-off occurs.

Spout Size	Part Name	NPT Inlet	Flow Rate	Weight (LBS)	Item #
1 3/16"	MCD Diesel Nozzle	1"	45	3.6	780043
1-3/16"	MCDS Prepay Diesel Nozzle	1"	45	3.6	780056

### Features:

- Provides the high flow capacity required by many truck stops and terminal operations
- Dual poppets for easy high pressure operation
- Pure Teflon® stem packing eliminates leaks
- MCD"S" is pressure activated.
- Automatic shutoff
- Green scuff guard

### Safety Notes:

- These nozzles are not for use with gravity flow tanks
- Not designed for use with small 12 volt pumps, AC utility pumps, farm pumps or consumer pumps



MCD"S" Nozzle

Made in the U.S.A



Made in the U.S.A

## BIG MOUTH™

The lightweight Big Mouth automatic diesel nozzle provides efficient refueling and durability at an economical price. Classic rear hold-open clip.

Spout Size	Part Name	NPT Inlet	Flow Rate	Weight (LBS)	Item #
1 1/8"	Big Mouth™ Diesel Nozzle	1"	25	3	780044

### Features:

- Micro-touch valve allows precise flow control
- Roto-matic latch pin provides positive auto shut-off
- Pure Teflon® stem packing eliminates leaks
- Super tough nylon hold-open clip and hand guard bend, but won't break
- Snap-on handle cover makes changing scuff guards easy
- Yellow scuff guard
- Automatic shutoff

### Safety notes:

- These nozzles are not for use with gravity flow tanks
- Not designed for use with small 12 volt pumps, AC utility pumps, farm pumps or consumer pumps

All registered Trademarks are the property of their respective owners.



## FARM AND CONSUMER

The F&C automatic nozzle is designed for use with small 12 volt and AC utility pumps, as well as larger Farm & Consumer pumps. The hook is the toughest available - will always maintain its shape.

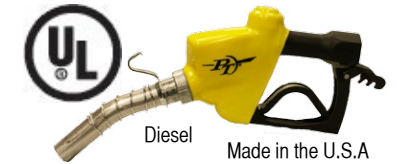
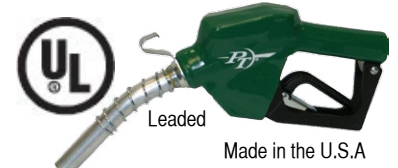
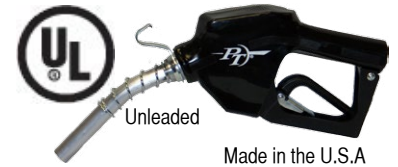
Spout Size	Part Name	NPT Inlet	Flow Rate	Weight (LBS)	Item #
13/16"	Farm and Consumer Nozzle-Unleaded	3/4"	14	2.5	780045
15/16"	Farm and Consumer Nozzle-Leaded	3/4"	14	2.5	780046
1-1/8"	Farm and Consumer Nozzle-Diesel	1"	25	3	780057

**Features:**

- Heavy duty, strong and more secure hook makes it easy to hang the nozzle on the pump.
- Vinyl scuff guard
- Pure Teflon<sup>®</sup> stem packing eliminates leaks

**Safety notes:**

- These nozzles are not for use with gravity flow tanks



## HIGH FLOW

### FUELER 100™

A heavy Duty High-Flow automatic nozzle with 1-1/2" inlet. It is tough, reliable and easy

Spout Size	Part Name	NPT Inlet	Flow Rate	Weight (LBS)	Item #
1 3/8"	High Flow Fuel Nozzle/ Fueler 100™	1-1/2"	65	6.9	780047
1 3/8"	Rebuilt - High Flow Fuel Nozzle/ Fueler 100™	1-1/2"	65	6.9	780048

**Features:**

- High Strength aluminum body casting for greater durability
- Roto-matic latch pin for smoother auto shut off
- Pure Teflon<sup>®</sup> stem packing eliminates leaks
- Dual poppets for easy high pressure operation
- Grooved spout holds nozzle in the tank
- Nylon spout lock nut does not gall makes it easy to change the spout



## DEF

This Hybrid Nozzle provides the performance and construction specifications required for DEF delivery without the burden of a heavy Stainless Steel Nozzle.

Spout Size	Part Name	BSPP Inlet	Flow Rate	Weight (LBS)	Item #
19mm	*DEF Nozzle w/ MFD Safety Spout	3/4" BSPP	14	2.5	780058
19mm	DEF Nozzle -Stainless Steel Spout	3/4" BSPP	14	2.5	780059
N/A	DEF Misfuelling Device	N/A	N/A	N/A	780060

**Features:**

- Aluminum Nozzle casting is internally and externally coated with a DuPont™ product that is impervious to DEF
- Internal components are made of Stainless Steel or Delrin<sup>®</sup> plastic
- Pure Teflon<sup>®</sup> stem packing eliminates leaks

**Safety notes:**

- Meets all required specifications set by ISO 2241 for DEF delivery



\*DEF Misfuelling Device required for DEF Nozzle w/MFD Safety Spout

## DUAL PLANE SWIVELS

To provide the best surfaces for O-ring seal rotation we have inserted a precisely machined sleeve into the aluminum castings. The sleeve is made from solid brass bar stock letting the swivel turn easily and will not leak.

Male NPT Size	Part Name	NPT Inlet	Item #
3/4"	Dual Plane Swivel 3/4" x 3/4"	3/4" NPT	780061
1"	Dual Plane Swivel 1"x 3/4"	3/4" NPT	780062

**Features:**

- Brass male end will not gall in nozzle castings
- Dual Viton<sup>®</sup> O-rings seal with all fuels
- Machined Brass sleeve gives smooth seal surface - NO LEAKS





**WEDGON**

*BREAKAWAY FITTINGS*  
Available in 3/4", 1", 1 1/4",  
1 1/2", 2", & 3".  
3/4" & 1" with spacer hose  
Made in the U.S.A.



**STDS**

*T-STRAINER 150 PSI MAX*  
*WORKING PRESSURE*  
Available in Aluminum &  
Hard Coat Aluminum  
Made in the U.S.A.



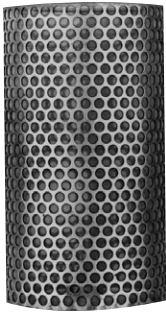
**REPLACEMENT  
T-STRAINER SCREEN**

*STAINLESS STEEL SCREEN*  
Mesh sizes: 12, 20, 40, 60, & 80  
Made in the U.S.A.



**Y-STRAINER BASKET**

*Stainless Steel in 14, 20, 40, 60,  
80 & 100 mesh*



**STR-Y**

*STRAINER 125 PSI MAX*  
*WORKING PRESSURE*  
Available in Aluminum, Stainless Steel,  
Ductile Iron, and Polypropylene.  
Made in the U.S.A.



**PUMP INLINE FILTER**

*1/4" hole available in 1 1/2" - 4" size.*  
*1/2" size hole available in 4". Call*  
*for quote on other sizes. Available*  
*in Aluminum & Stainless Steel.*

*Threads into bottom of female*  
*NPT threads.*  
Made in the U.S.A.



**PROGRIP™ SLEEVES & FERRULES**

*ALUMINUM NON-SPARKING*  
Sizes: 1 1/2" to 6"  
Made in the U.S.A.

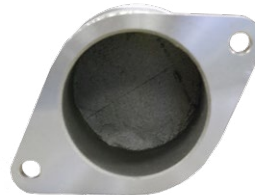


\*Anodized / Available for custom logo



**MOUNT PLUG**

*ADAPTER X FLANGE*  
Sizes: 2", 3" & 4"  
Weldable, pre-drilled holes, Aluminum  
Made in the U.S.A.

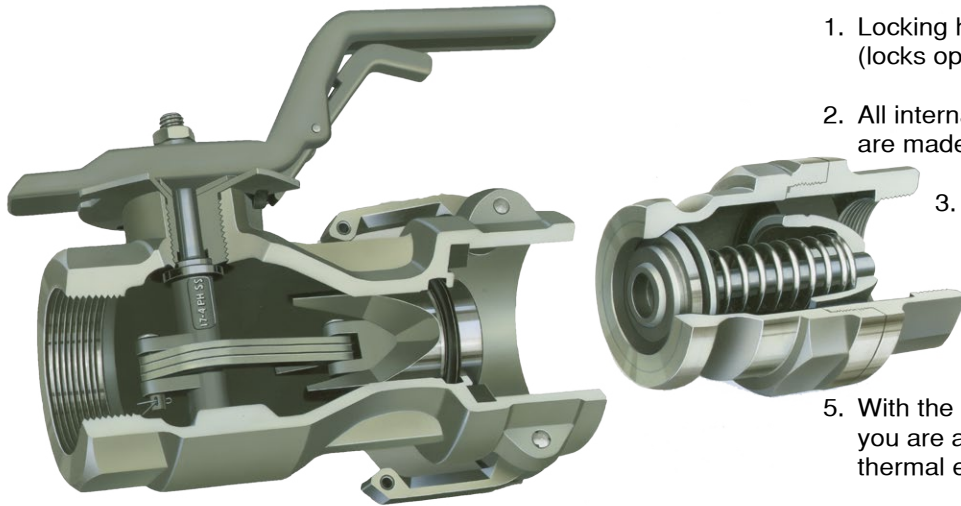






**MAXI-DRY COUPLER AND ADAPTER**

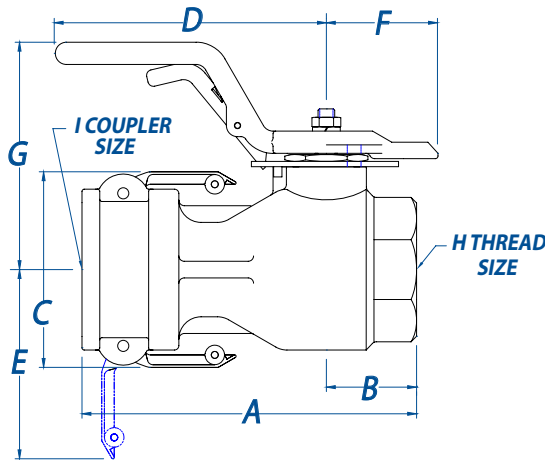
Made in the U.S.A.



**MAXI-DRY ADVANTAGES**

1. Locking handle.  
(locks open or closed)
2. All internal components are made of Stainless Steel.
3. Maxi-Dry will interchange with competitors assemblies.
4. Maxi-Dry pressure rating is normally higher than most of our competitors
5. With the coupler side of the Maxi-Dry you are able to drain material, in case of a thermal expansion situation.
6. On the coupler side of the Maxi-Dry, the handle is extended over the cam, to make sure that the coupler and adapter cannot be separated when the flow is opened.
7. STA-LOK® II cams will work if customer wants self-locking cams.
8. Locking plate accepts standard pad lock.

**MAXI-DRY COUPLER**



Materials available are: Aluminum, Stainless Steel

Gasket Materials: Buna, Viton®, EPDM, Teflon®, Chemraz®, Kalrez®

**COUPLER**

Size	Coupler	Pressure Rating	A	B	C	D	E	F	G	H	I
1 1/2"	MD15D	200 PSI	6.9	1.5	3.9	6.1	4.1	2.5	5.0	1 1/2" NPT	2.0
2"	MD20D	150 PSI	7.5	2.0	4.4	6.1	4.3	2.5	5.1	2" NPT	2.5
3"	MD30D	125 PSI	9.5	2.5	6.5	9.0	5.5	4.0	6.0	3" NPT	4.0
4"	MD40D	125 PSI	9.5	2.5	6.5	9.0	5.5	4.0	6.2	4" NPT	4.0

All registered trademarks are property of their respective owners.

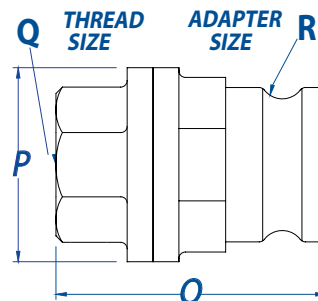
**ADAPTER**

Adapter	O	P	Q	R
MD15A	4.3	3.2	1 1/2" NPT	2
MD20A	5.2	3.7	2" NPT	2.5
MD30A	6.8	5.6	3" NPT	4
MD40A	6.8	5.6	4" NPT	4

Dimensions are in inches

**MAXI-DRY ADAPTER**

Made in the U.S.A.





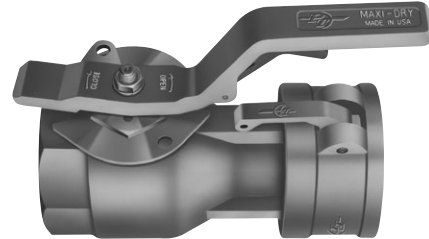
**MDA MAXI-DRY  
ADAPTER**  
ADAPTER X FEMALE NPT  
THREAD  
Size 1-1/2", 2", 3", 4"  
Made in the U.S.A.



**MDPFA MAXI-DRY**  
PIPE FLANGE X ADAPTER  
Size 2", 3" & 4"  
Made in the U.S.A.

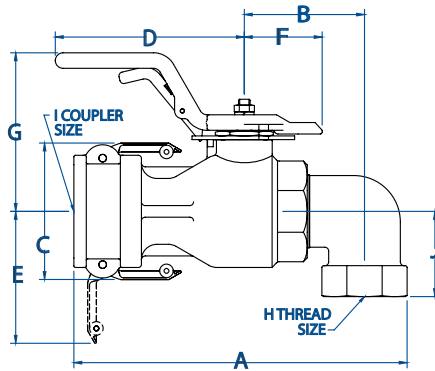
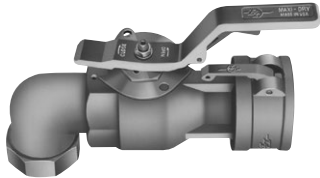


**MDD MAXI-DRY  
COUPLER**  
COUPLER X FEMALE  
NPT THREAD  
Size 1-1/2", 2", 3", 4"  
Made in the U.S.A.



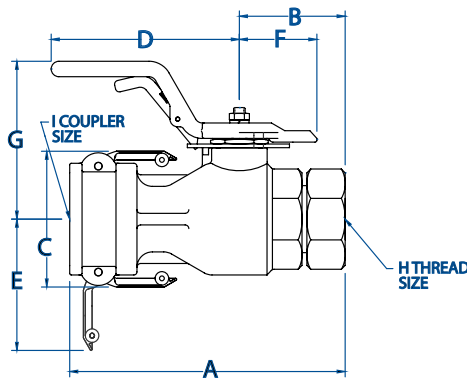
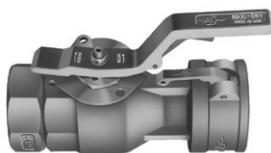
Pipe Flange bolt pattern conforms  
to ANSI B16.5 Class 150

**MDD90 - MAXI-DRY  
COUPLER 90  
DEGREE SWIVEL**  
COUPLER X FEMALE NPT  
THREAD 90 DEGREE  
ELBOW SWIVEL  
Size 2" & 3"  
Made in the U.S.A.



Size	2"	3"
<b>Coupler</b>	<b>MD20D 90°</b>	<b>MD30D 90°</b>
<b>Press. Rating</b>	<b>150 PSI</b>	<b>125 PSI</b>
A	10.9	14.05
B	4	5
C	4.4	6.85
D	6.1	9
E	4.3	5.5
F	2.5	4
G	5.1	6.2
H	1" NPT	3" NPT
I	2.5	4
J	2.8	4.4

**MDDSSW - MAXI-DRY  
STRAIGHT SWIVEL**  
COUPLER X FEMALE NPT  
THREAD SWIVEL  
Size 2" & 3"  
Made in the U.S.A.



Size	2"
<b>Coupler</b>	<b>MD20D 90°</b>
<b>Press. Rating</b>	<b>150 PSI</b>
A	9
B	3.5
C	4.4
D	6.1
E	4.3
F	2.5
G	5.1
H	2" NPT
I	2.5



Made in the U.S.A.



# PT BRANCH WAREHOUSES

## CHICAGO

Richard F. Payne, Inc.  
460 Podlin Drive  
Franklin Park, IL 60131

Joe & Dan Payne  
Phone: 630-595-0350  
Toll: 800-662-5571  
Fax: 630-595-3685  
**Toll Free: 888-595-3685**  
E-Mail: sales@rfpayne.com

## SACRAMENTO

Industrial Solutions, Inc.  
150 Gum Lane  
Auburn, CA 95603

## SALT LAKE CITY

Industrial Solutions, Inc.  
2507 South 300 West  
Salt Lake City, UT 84115

Gary Rooker & Tom Baker

Phone: 530-745-9600  
**Toll Free: 888-320-4151**  
Fax: 530-745-9607  
E-Mail:  
sales@industrialsolutionsinc.net

## SAN DIEGO

Sunwest Industrial, LLC  
13350 Gregg Street, Suite 102  
Poway, CA 92064

Dave Palmer

Phone: 858-997-2404  
**Toll Free: 888-833-5401**  
Fax: 888-833-5402  
E-Mail: info@sunwestindustrial.com  
dpalmer@sunwestindustrial.com

## ALLENTOWN

Honohan Sales  
2125 28th Street SW  
Allentown PA 18103

Dan & Rob Honohan  
Phone 610-797-8100  
**Toll Free: 800-333-1090**  
Fax: 610-797-9028  
Email: sales@honohansales.com

## ATLANTA

Flexible Industrial Solutions  
5250 Fulton Industrial Blvd. SW  
Atlanta, GA 30336

Tom Martin & TJ Wootton  
Phone: 404-696-3998  
**Toll Free: 877-624-2770**  
Toll Free Fax: 877-624-2766  
E-Mail: se.sales@ptcoupling.com

Ed Robbe  
Kentucky & West Virginia  
Cell: 513-616-4676

## DALLAS-FT. WORTH

Jimco Sales, Inc.  
3317 Bryan Ave.  
Fort Worth, TX 76110

Jim Hendricks  
E-Mail: jph@jimcosales.net  
Pam Hagood  
E-Mail: sales-pt@jimcosales.net  
Phone: 817-924-0850  
**Toll Free: 800-889-4626**  
Fax: 817-924-4612

Daryl Bates  
Mobile: 214-394-8734  
E-Mail: daryl Bates@jimcosales.net

Randy Bates  
Mobile: 817-874-9202  
E-Mail: randybates@jimcosales.net

## DENVER

Mountain States Warehouse  
5055 E. 41st Ave.  
Denver, CO 80216

**Toll Free: 800-654-0320**  
Fax: 800-828-2649  
E-Mail: donb@burchsales.com

## KANSAS CITY

Burchline Sales  
1107 West Edwards  
Maryville, MO 64468

Don Burch  
Cell: 816-916-5744  
E-Mail: donb@burchsales.com  
**Toll Free: 800-654-0320**

## SEATTLE

Wilson/Rogers & Assoc., Inc.  
2006 196th St. SW #119  
Lynnwood, WA 98036

Scott Wilson & Ron Weeks, Jr.  
Phone: 425-248-4940  
**Toll Free: 888-851-7275**  
TF Fax: 888-851-7273  
Fax: 425-248-4944  
E-Mail: sales@wilsonrogers.com

## HOUSTON

WRC Marketing  
5611 Clinton Drive  
Houston, TX 77020

Ray Cooper  
Phone: 713-670-9595  
**Toll Free: 888-246-9256**  
Fax: 713-670-9945  
E-Mail: wrcware@sbcglobal.net

## CANADA

### EDMONTON

J & B Industrial Inc.  
15703-114th Ave.  
Edmonton, AB Canada T5M-2Z3

### TORONTO

J & B Industrial Inc  
3375 North Service Road,  
Unit B1 Burlington, ON  
Canada L7N3G2

John McCullough &  
Bruce McIntosh  
Phone: 888-315-7750  
Mobile: 905-978-7750  
Fax: 905-315-7785  
E-Mail: sales@jbrubber.ca

### BRITISH COLUMBIA

Industrial Solutions, Inc.  
Rich Morgan & Gary Rooker  
Phone: 360-920-9358  
**Toll Free: 888-320-4151**  
E-Mail:  
rmorgan@industrialsolutionsinc.net

### INTERNATIONAL

International Sales Manager  
Carlos E. Bermudez  
Cell: 580-478-6639  
E-Mail: carlosb@ptcoupling.com  
international@ptcoupling.com

Inside Sales  
Chuck Mowery  
1414 East Willow  
Enid, OK 73701  
Phone: 580-540-3406  
**Toll Free: 800-654-0320**  
Fax: 800-828-2649  
E-mail: sales10@ptcoupling.com

Robert Marr & Son, Inc.  
32-22, 74th Street 2nd Floor  
East Elmhurst  
New York, NY 11370

Yin Yin  
Phone: 718-565-7800  
Fax: 718-565-7802  
E-Mail: marrintl@aol.com

[www.ptcoupling.com](http://www.ptcoupling.com)



Follow us on Twitter: [ptcouplingusa](https://twitter.com/ptcouplingusa)



Like us on Facebook: [ptcoupling](https://www.facebook.com/ptcoupling)

